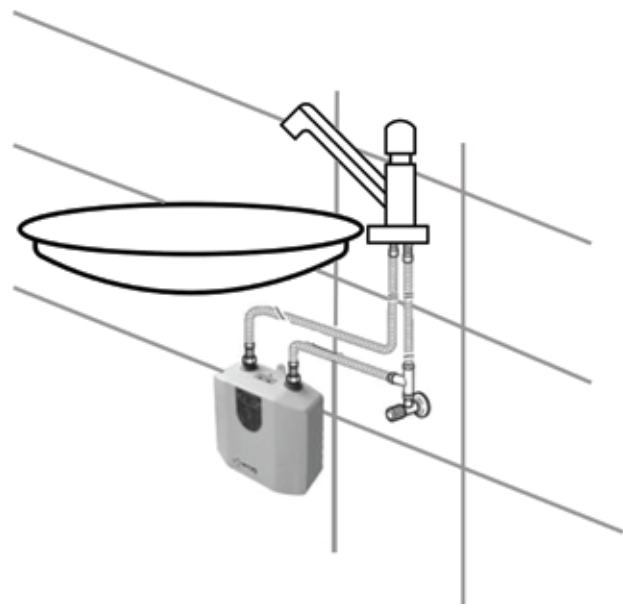




+255 22 2135834

info@plvdigital.co.tz



Europe standard

APPLICATIONS:

*Kitchen * Sinks showers *Tubs *Dishwashers *wash machine

ADVANTAGE:

- High strength ABS splash proof casing, stainless steel heating element.
- Compact appearance and unlimited supply of hot water, heater is installed at point of use.
- Easy installation, compact appearance. heater can be installed above or under sink. power cord and plug are equipped.
- Easy operation, the heater provide a constant temperature at 50°C. Automatic memory function avoid repeated operation
- LED displays its working condition

SAFETY FEATURES:

- Leakage protection
- Overheat protection
- Dry heating protection
- water and electricity isolation protection.
- Built-in pressure relief valve to prevent explosion.



Model	TZXFJ50KH
Phase	1
Rated Voltage	220-240v
Power	5000w
Rated Current	21.7A
Required circuit breaker	32A
Required wire	2.5mm ²
Default working temp.	50°C
Over heating protection	60°C
Thermal cut-out (Manual reset)	95°C
Control mode	Electronic Control
Min. water flow to activate unit L/min	0.48/1.8
Water pressure	0.02-0.6Mpa
Water connections	Copper 1/2"
Product size	198*160*98mm